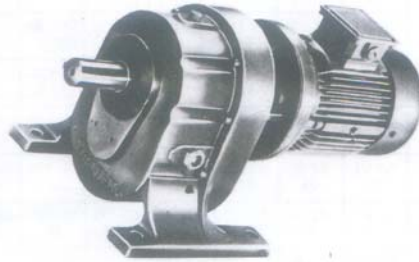


Classic



HELICAL

GEAR MOTORS & GEAR BOXES

OTHER PRODUCTS :

- Worm Geared Motors / Gear Boxes
- Shaft Mounted Helical or Worm Gear Units
- Helical Gear Units with In built thrust bearing

Electropower
Group

Selection Chart for Helical Geared Motors - SERVICE FACTOR 1.2**

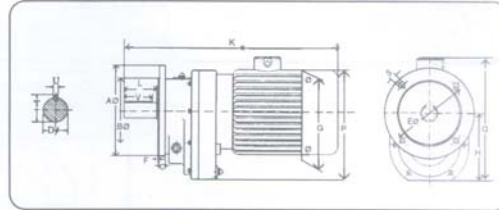
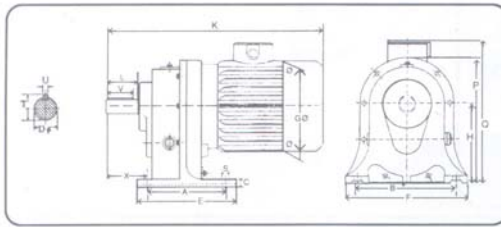
HP RPM	0.25	0.5	0.75	1	1.5	2	3	5	7.5	10	12.5	15	20	25	30
15 T	G1-80 10	G2-90 21.5	G3-90 32	G3-100 43.5	G3-100 64	G5-112 87.5	G6-132 128	G7-160 205	G7-160 221			304			
20 T	G1-71 7.5	G2-80 16	G2-90 24	G3-90 32.5	G3-90 48	G3-100 65.5	G5-112 96	G5-132 153	G6-132 211			G6-132 211			
26 T	G1-71 6	G2-80 12	G2-90 18	G3-90 25	G3-90 37	G3-100 50.5	G5-112 74	G5-132 118	G6-132 185	G7-160 252		G7-160 252			
30 T	G0-63 5	G1-71 10.5	G2-80 16	G2-80 21.5	G3-90 32	G3-90 43.5	G5-100 64	G5-112 102	G6-132 160	G6-132 219		G6-132 219			
40 T	G0-63 3.5	G1-71 8	G2-80 12	G2-80 16	G2-90 24	G3-90 32.5	G3-100 48	G5-112 76.5	G6-132 120	G6-132 164	G6-160 228	G7-160 267	G7-160 365	G7-180 435	G8-180 535
52 T	G0-63 3	G1-71 6	G2-80 9	G2-80 12.5	G2-90 18	G2-90 25	G3-100 37	G5-112 59	G5-132 92.5	G5-132 126	G6-160 158	G6-160 202	G7-160 280	G7-180 335	G8-180 410
72 T	G0-63 2.2	G0-71 4	G1-80 6.5	G2-80 9	G2-90 13	G2-90 18	G3-100 26.5	G5-112 42	G5-132 66.5	G5-132 91	G6-160 114	G6-160 146	G7-160 182.5	G7-180 243	G8-180 297
84 T	G0-63 1.8	G0-71 3.5	G1-80 5.5	G1-80 7.5	G2-90 11	G2-90 15	G3-100 22.5	G5-112 36	G5-132 57	G5-132 78	G6-160 98	G6-160 125	G6-160 156	G7-180 187.5	G8-180 255
100 T	G0-63 1.5	G0-71 3	G1-80 4.5	G1-80 6.5	G2-90 9.5	G2-90 13	G3-100 19	G5-112 30	G5-132 48	G5-132 65	G6-160 82	G6-160 105	G6-160 131	G7-180 157	G7-180 214
112 T	G0-63 1.4	G0-71 2.5	G1-80 4.3	G1-80 5.5	G2-90 8.5	G2-90 11.5	G2-100 17	G3-112 27	G5-132 43	G5-132 58	G6-160 73	G6-160 93.5	G6-160 117	G6-180 140	G7-180 190
149 T	G0-63 1.06	G0-71 2	G1-80 3.2	G1-80 4	G2-90 6	G2-90 8.5	G2-100 12.5	G3-112 20	G5-132 32	G5-132 44	G6-160 55	G6-160 70	G6-160 88	G6-180 105.5	G7-180 140
204 T	G0-63 0.700	G0-71 1.5	G1-80 2.3	G1-80 3.0	G2-90 4.5	G2-90 6	G2-100 9	G3-112 15	G5-132 23	G5-132 32	G6-160 40	G6-160 51	G6-160 64	G6-180 77	G7-180 105
270 T	G0-63 0.580	G0-71 1	G1-80 1.5	G1-80 2	G2-90 3.5	G2-90 4.5	G2-100 7.0	G3-112 11	G5-132 17	G5-132 24	G6-160 30	G6-160 38	G6-160 48	G6-180 58	G7-180 79

** For higher Service factor Select next higher size unit * Torque in kg.m.

Selection Chart for Helical Geared Boxes - DOUBLE STAGE

HP RPM	Input Speed 1440 RPM														
	0.25	0.5	0.75	1	1.5	2	3	5	7.5	10	12.5	15	20	25	30
5:1 T	G0 0.584	G0 1	G1 1.5	G1 2	G2 3.5	G2 4.5	G2 7	G3 11	G5 17	G5 24	G6 30	G6 38	G6 48	G6 58	G7 79
7:1 T	G0 0.75	G0 1.5	G1 2.3	G1 3	G2 4.5	G2 6	G2 9	G3 15	G5 23	G5 32	G6 40	G6 51	G6 64	G6 77	G7 105
9.6:1 T	G0 1.0	G0 2	G1 3.2	G1 4	G2 6	G2 8.5	G2 12.5	G3 20	G5 32	G5 44	G6 55	G6 70	G6 88	G6 105.5	G7 140
12.8:1 T	G0 1.4	G0 2.5	G1 4.3	G1 5.5	G2 8.5	G2 11.5	G2 17	G3 27	G5 43	G5 58	G6 73	G6 93.5	G6 117	G6 140	G7 190
15:1 T	G0 1.6	G0 3	G1 4.5	G1 6.5	G2 9.5	G2 13	G2 19	G3 30	G5 48	G5 65	G6 82	G6 105	G6 131	G6 157	G7 214
17:1 T	G0 1.9	G0 3.5	G1 5.5	G1 7.5	G2 11	G2 15	G2 22.5	G3 36	G5 57	G5 78	G6 98	G6 125	G6 156	G6 187.5	G7 255
20:1 T	G0 2.2	G0 4	G1 6.5	G2 9	G2 13	G2 18	G2 26.5	G3 42	G5 66.5	G5 91	G6 114	G6 146	G6 182.5	G6 243	G7 297
27.6:1 T	G0 3	G1 6	G2 9	G2 12.5	G2 18	G2 25	G2 37	G3 59	G5 92.5	G5 126	G6 158	G6 202	G6 252.5	G6 335	G7 410
36:1 T	G0 3.5	G1 8	G2 12	G2 16	G2 24	G2 32.5	G2 48	G3 76.5	G5 120	G5 164	G6 228	G6 267	G6 365	G6 435	G7 535
48:1 T	G0 5	G1 10.5	G2 16	G2 21.5	G2 32	G2 43.5	G2 64	G3 102	G5 160	G5 219					

DIMENSIONS OF GEAR MOTORS :



MOUNTING - B3 & V5

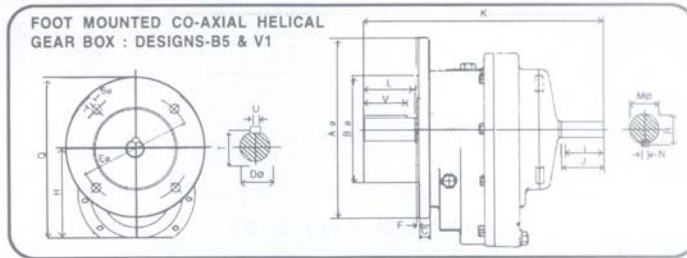
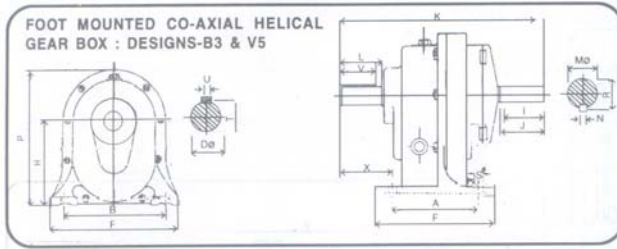
MOUNTING - B5 & V1

FRAME	APPROX WT IN KGS	OVERALL DETAILS						FIXING DETAILS						SHAFT DETAILS					OVERALL DETAILS				FIXING DETAILS						
		E	F	G	K	P	Q	A	B	C	H	S	X	D	L	T	U	V	G	K	P	Q	A	B	C	E	F	H	S
G0-63	14	145	150	100	355	175	210	115	120	12	108	10	54	22	40	24.5	6	35	100	355	163	198	130	80	10	100	3	105	10
G0-71	16	145	150	140	345	175	220												140	345	175	220							
G1-71	22	175	185	140	425	195	235	135	145	15	120	13	65	28	60	31	8	55	140	425	190	230	180	110	10	155	3	117	13
G1-80	24	175	185	155	450	195	240												155	450	205	240							
G2-71	29	200	230	140	405	245	270												140	405	220	260							
G2-80	32	200	230	155	430	245	275	160	190	15	152	14	72	28	60	31	8	55	155	430	230	270	215	150	12	180	4	148	14
G2-90	36	200	230	175	455	245	280												175	455	235	280							
G2-100	45	200	230	195	500	245	290												195	500	245	285							
G3-80	47	250	310	155	490	295	305												155	490	260	305							
G3-90	51	250	310	175	530	295	315	200	260	20	184	17	95	38	75	41	10	70	175	530	270	310	260	180	16	220	4	181	17
G3-100	60	250	310	195	560	295	320												195	560	280	320							
G3-112	74	250	310	220	570	295	335												220	570	295	330							
G5-100	111	370	395	195	630	405	395												195	630	345	385							
G5-112	125	370	395	220	630	405	405	300	320	25	255	24	110	60	115	64	18	100	220	630	360	395	350	250	20	300	4	248	20
G5-132	170	370	395	260	705	405	465												260	705	380	460							
G6-112	205	360	470	220	695	520	485												220	695	440	475							
G6-132	250	360	470	260	765	520	545	280	385	30	335	30	138	70	135	74.5	20	115	260	765	470	540	460	300	22	380	5	327	22
G6-160	300	360	470	310	830	520	585												310	830	490	580							
G6-180	350	360	470	350	890	520	615												350	890	510	610							
G7-160	430	450	550	310	975	630	655	360	460	35	405	35	165	80	150	85.5	22	125	310	975	555	650	480	380	24	430	5	400	26
G7-180	495	450	550	350	1030	630	685												350	1030	575	690							
G8-180		600	690	350	1100	760	790	490	580	45	495	45	200	90	175	95	25	150	350	1100	670	790	625	470	30	550	6	490	35
G8-200		600	690	390	1150	760	830												390	1150	695	825							

All dimensions are in mm.

As constant progress is made towards Reserach and Development of Geared Motors, the above dimensions are subject to change without prior intimation. Kindly contact Sales Office for latest certified copy of drawing.

DIMENSIONS OF GEAR BOXES :

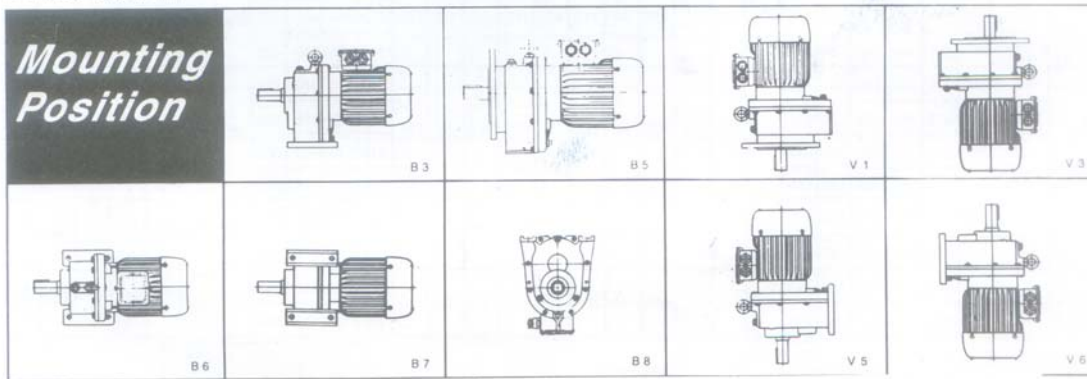


MOUNTING - B3 & V5

MOUNTING - B5 & V1

FRAME TYPE	OVERALL DETAILS										OUTPUT SHAFT DETAILS					INPUT SHAFT DETAILS					OVERALL DETAILS									
	A	B	C	E	F	H	K	P	S	X	D	L	T	U	V	M	I	R	N	J	A	B	C	E	F	H	K	Q	S	
G0	115	120	12	145	150	108	240	175	10	54	22	40	24.5	6	35	14	30	16	5	35	130	80	10	100	3	105	240	170	10	
G1	135	145	15	175	185	120	280	195	13	65	28	60	31	8	55	14	40	16	5	45	180	110	10	155	3	117	280	210	13	
G2	160	190	15	200	230	152	320	245	14	72	28	60	31	8	55	19	50	21.5	6	55	215	150	12	180	4	148	320	260	14	
G3	200	260	20	250	310	184	390	295	17	95	38	75	41	10	70	24	65	27	8	70	260	180	16	220	4	181	390	311	17	
G5	300	320	25	370	395	255	500	405	24	110	60	115	64	18	100	28	80	31	8	100	350	250	20	300	4	248	500	425	20	
G6	280	385	30	360	470	335	610	520	30	138	70	135	74.5	20	115	38	105	41	10	115	460	300	22	380	5	327	610	560	22	
G7	360	460	35	450	550	405	700	630	35	165	80	150	84.5	22	125	42	120	45	12	130	480	380	24	430	5	400	700	640	26	
G8	490	580	45	600	690	495	800	760	45	200	90	175	95	25	150	48	140	55	14	150	625	470	30	550	6	490	800	805	35	

All dimensions are in mm.



Narhari Engineering Works Pvt. Ltd.

1, Shah Industrial Estate, Off. Veera Desai Road, Andheri (West), Mumbai - 400 053.
Tel. : 2673 1825. 2673 1893 Fax No. 2673 2107